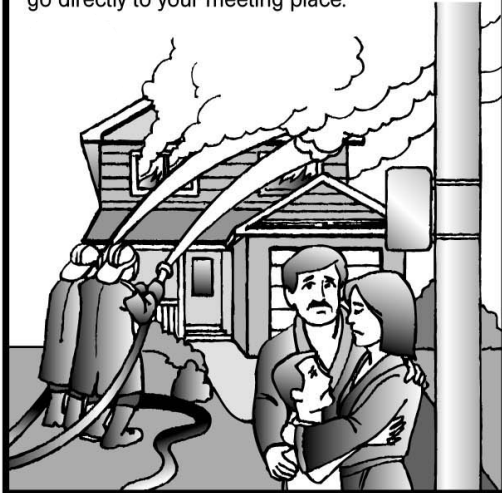


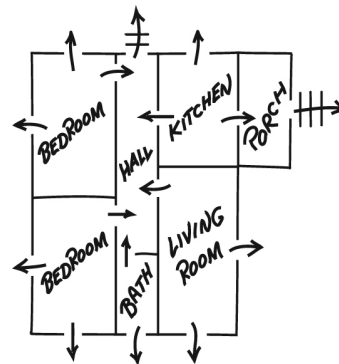
GET OUT & STAY OUT

In case of fire, **don't try to save possessions** – go directly to your meeting place.



The Facts About Escape Plans

KNOW WHERE TO GO



Develop and practise a home fire escape plan. In case a fire starts, everyone must know two ways out of every room, if possible.

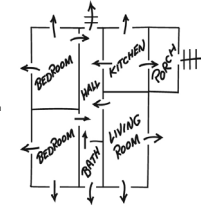


Click on www.ofm.gov.on.ca for more fire safety information.

Key Messages:

- ✓ Install smoke alarms on every storey and outside sleeping areas. It's the law.
- ✓ Develop a home fire escape plan and practise it with the entire family.
- ✓ Make sure everyone knows two ways out of each room, if possible.
- ✓ Check that all exits are unobstructed and easy to use.
- ✓ Determine who will be responsible for helping young children, older adults or anyone else that may need assistance.
- ✓ Choose a meeting place outside, such as a tree or a lamp post, where everyone can be accounted for.
- ✓ If caught in smoke, *get low and go* under the smoke to the nearest safe exit.
- ✓ Call the fire department from outside the home, from a cell phone or neighbour's home.
- ✓ Once out, stay out. Never re-enter a burning building.

KNOW WHERE TO GO



Office of the Fire Marshal ©2008
www.ofm.gov.on.ca

Fact

When the smoke alarm sounds, everyone must know what to do and where to go.

